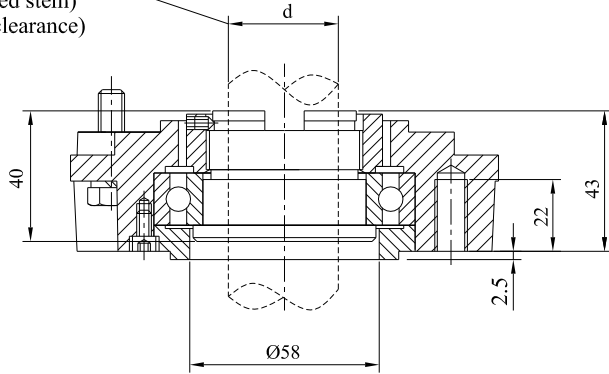


# GREATORK AVA and AVAM Series drive couplings

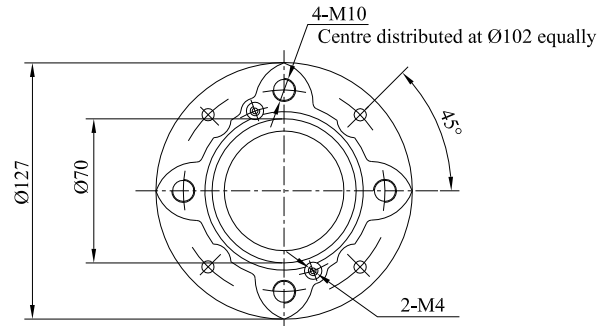
## AVA01/02/03 and AVAM01/02/03 COUPLING

"d" is the max diameter of the axes **Type A**

- d=26 (Keyed shaft)
- d=32 (threaded stem)
- d=33 (shaft clearance)



**F10 A base**

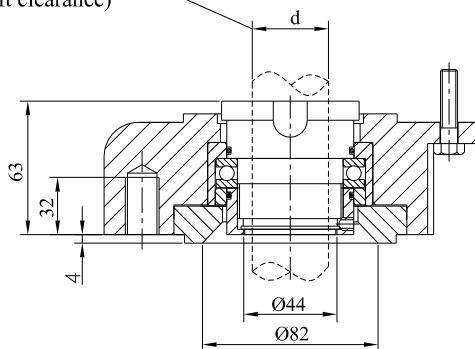


## AVA04/05 and AVAM04/05 COUPLING

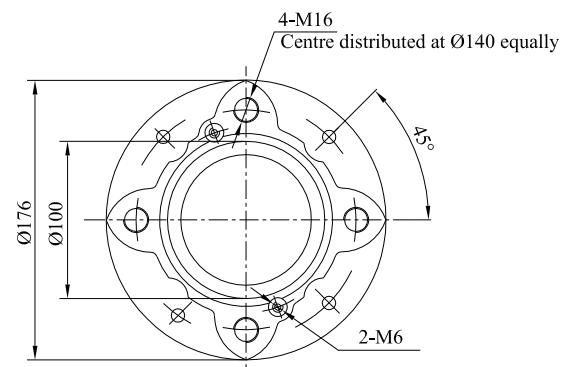
"d" is the max diameter of the axes

- d=32 (Keyed shaft)
- d=38 (threaded stem)
- d=52 (shaft clearance)

**Type A**



**F14 A base**

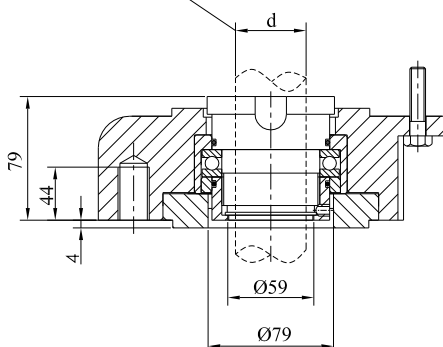


## AVA06 and AVAM06 COUPLING

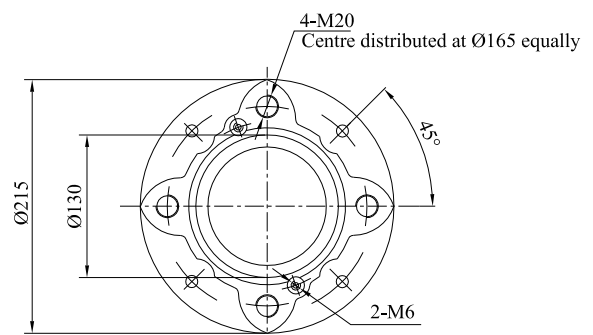
"d" is the max diameter of the axes

- d=45 (Keyed shaft)
- d=54 (threaded stem)
- d=69 (shaft clearance)

**Type A**



**F16 A base**

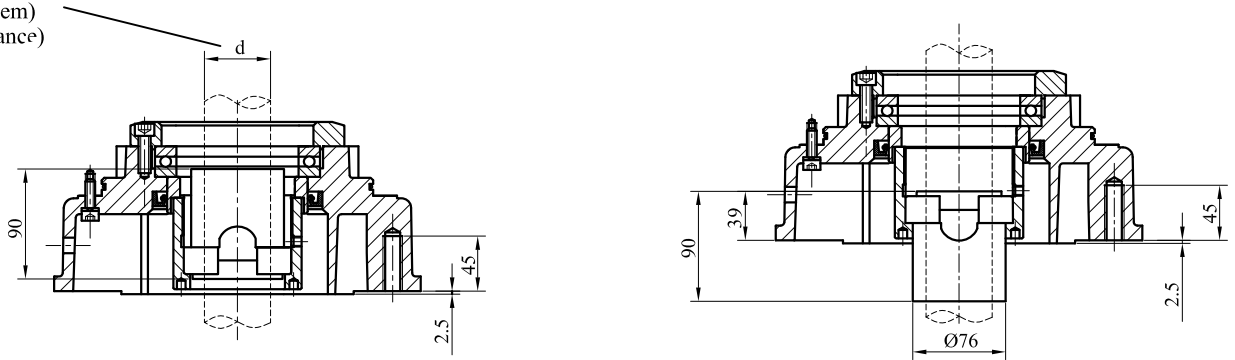


# GREATORK AVA range actuator drive couplings

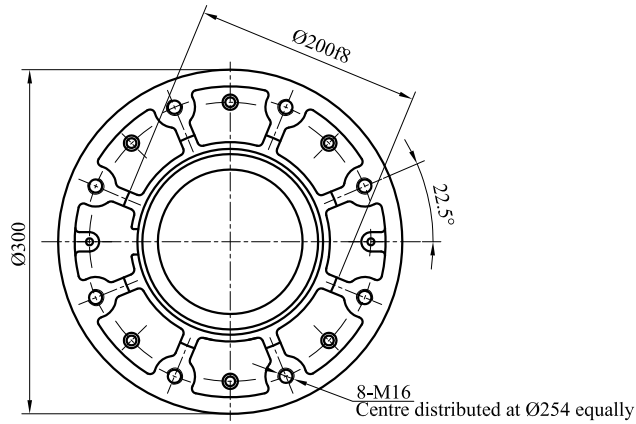
## AVA07 COUPLING

### Type A

"d" is the max diameter of the axes  
 d=51 (keyed shaft)  
 d=64 (threaded stem)  
 d=77 (shaft clearance)



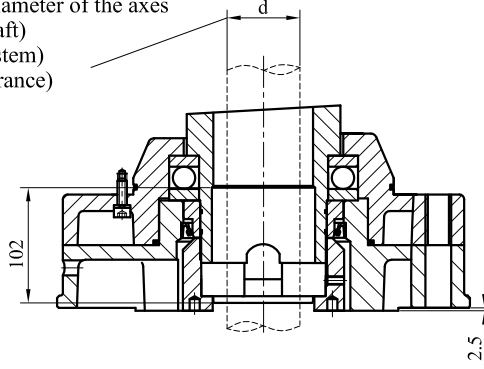
### F25 A base



## AVA08/09/09.1/10 COUPLING

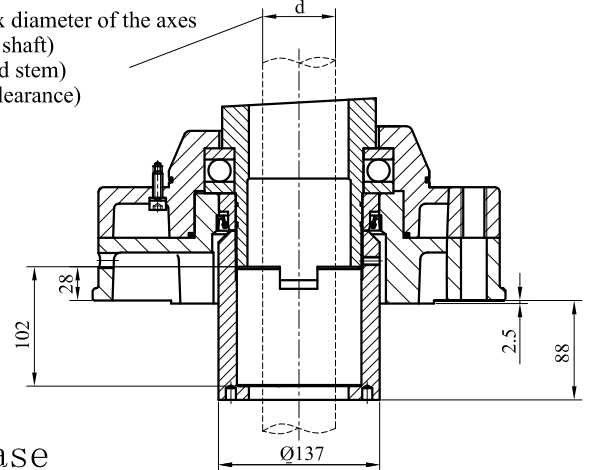
### Type A

"d" is the max diameter of the axes  
 d=57 (Keyed shaft)  
 d=70 (threaded stem)  
 d=85 (shaft clearance)



### Type Z3

"d" is the max diameter of the axes  
 d=73 (Keyed shaft)  
 d=83 (threaded stem)  
 d=85 (shaft clearance)



### F30 A/Z3 base

