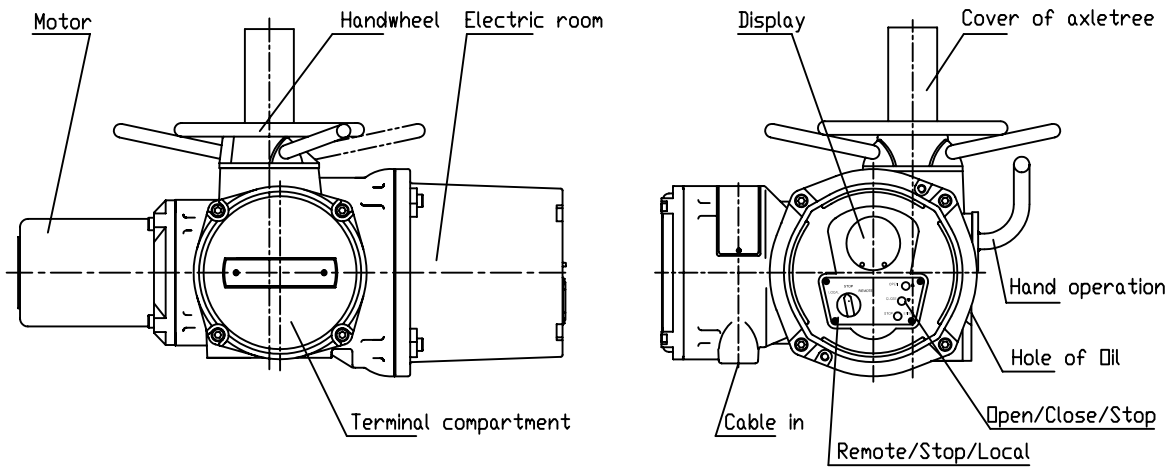
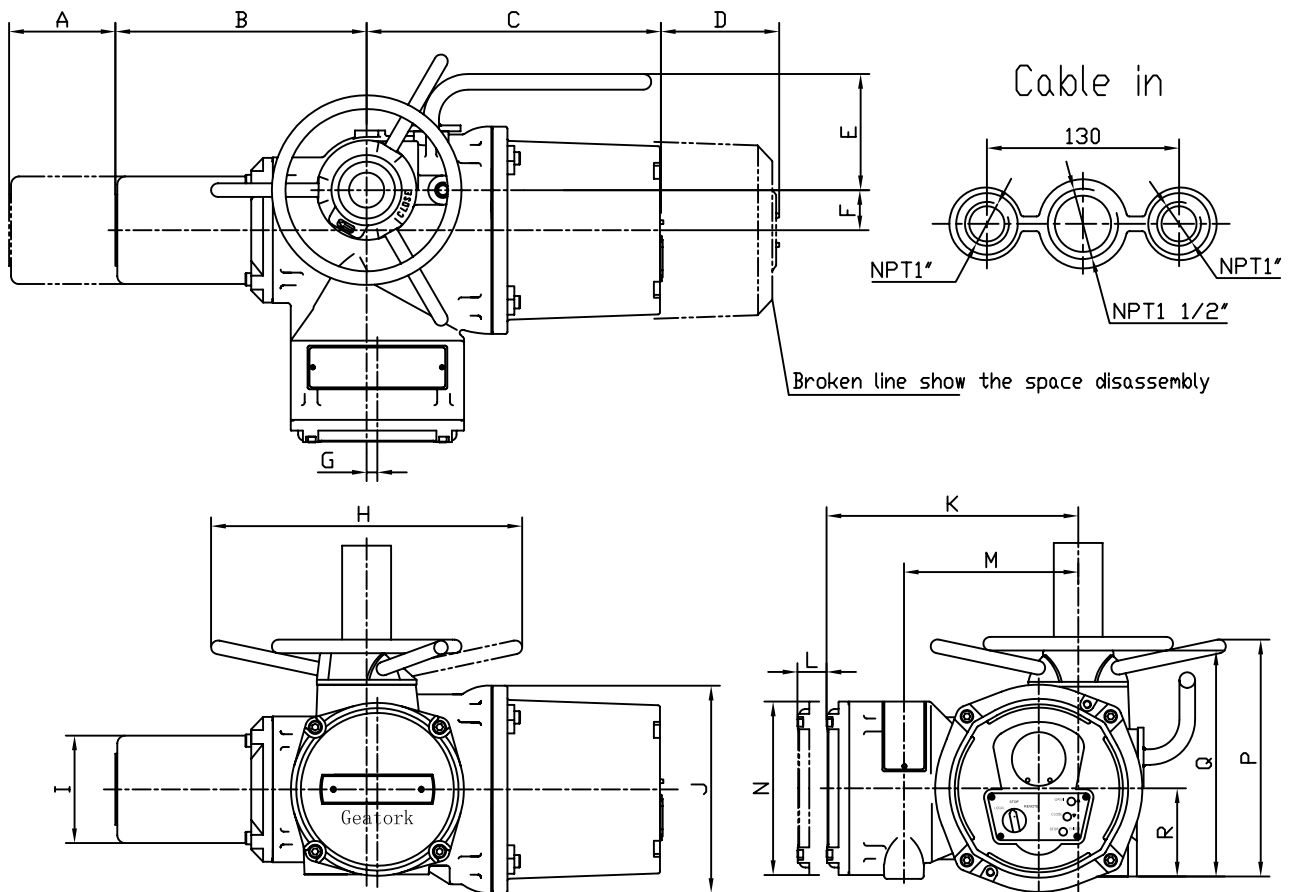


AVA range and AVAM01/02/03/04/05/06 each part and name



AVA range and AVAM01/02/03/04/05/06 actuator dimensions

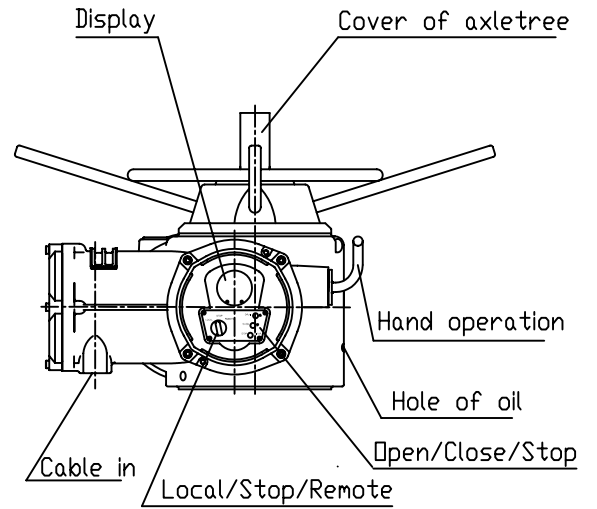
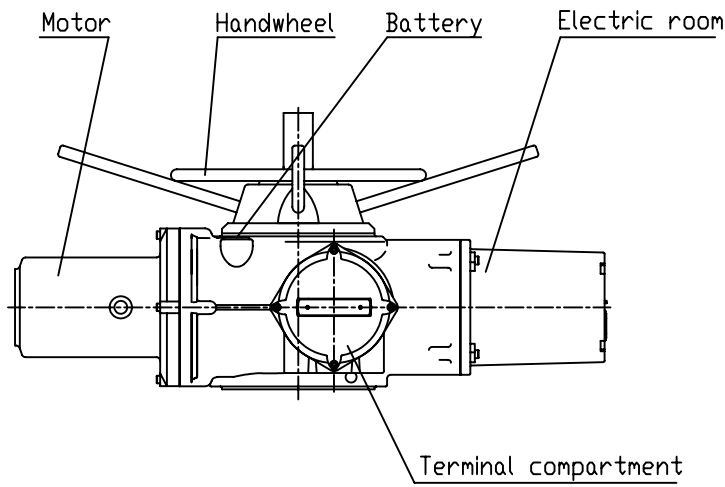


Parameter Specification	A	B	C	D	E	F	G	ØH	ØI	ØJ	K	L	M	ØN	P	Q	R
AVA01/02/03	165	257	301	200	119	41	11	318	110	212	257	30	178	177	242	228	90
AVA04/05	230	354	387	230	121	40	25	652	134	212	278	30	199	177	308	278	108
AVA06	247	352	401	230	119	42	40	793	145	212	301	30	222	177	353	315	122

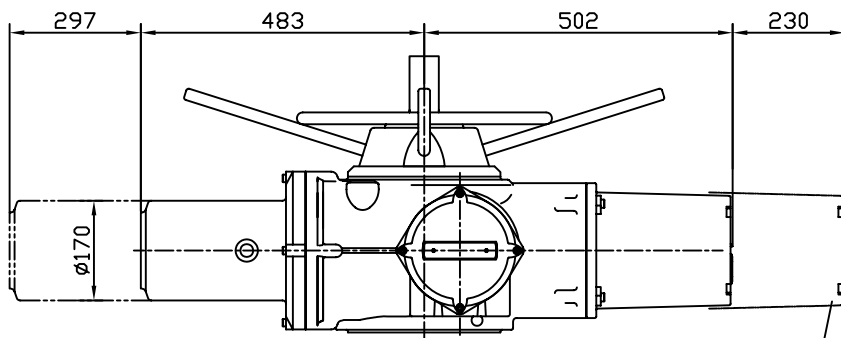
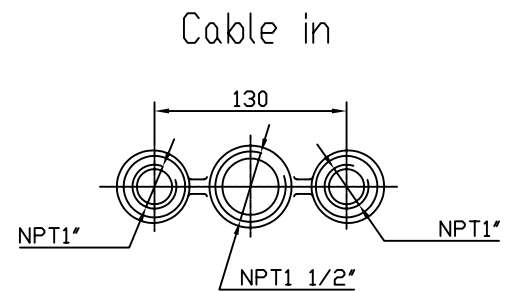
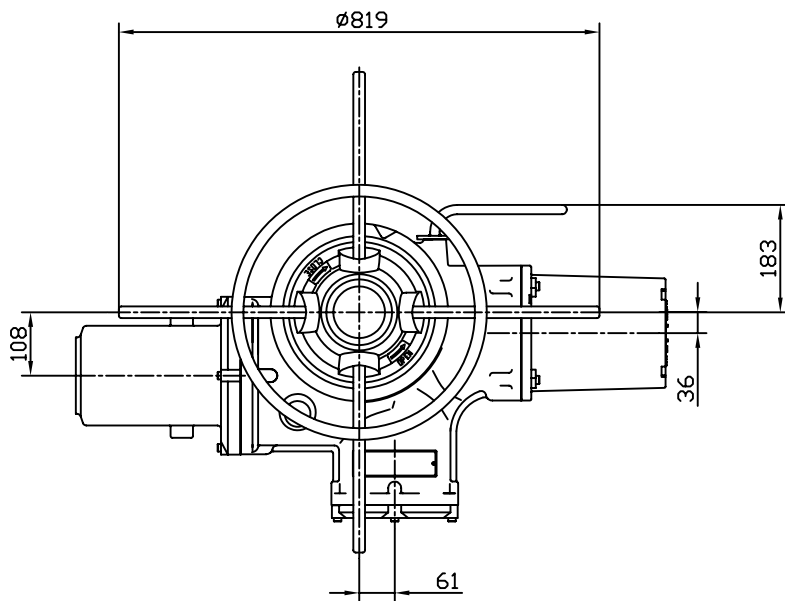
Greatork

Parts and Size

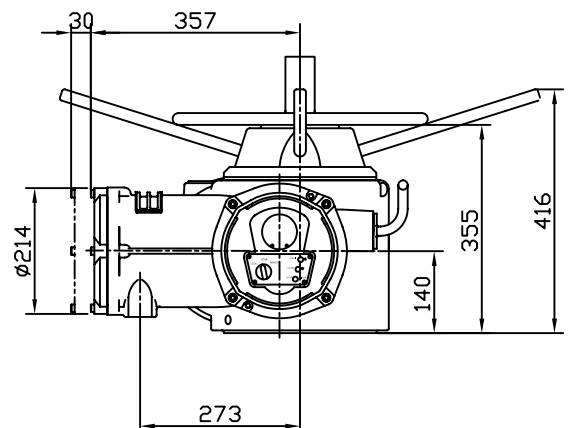
Each part and name of AVA07



Dimensions of AVA07



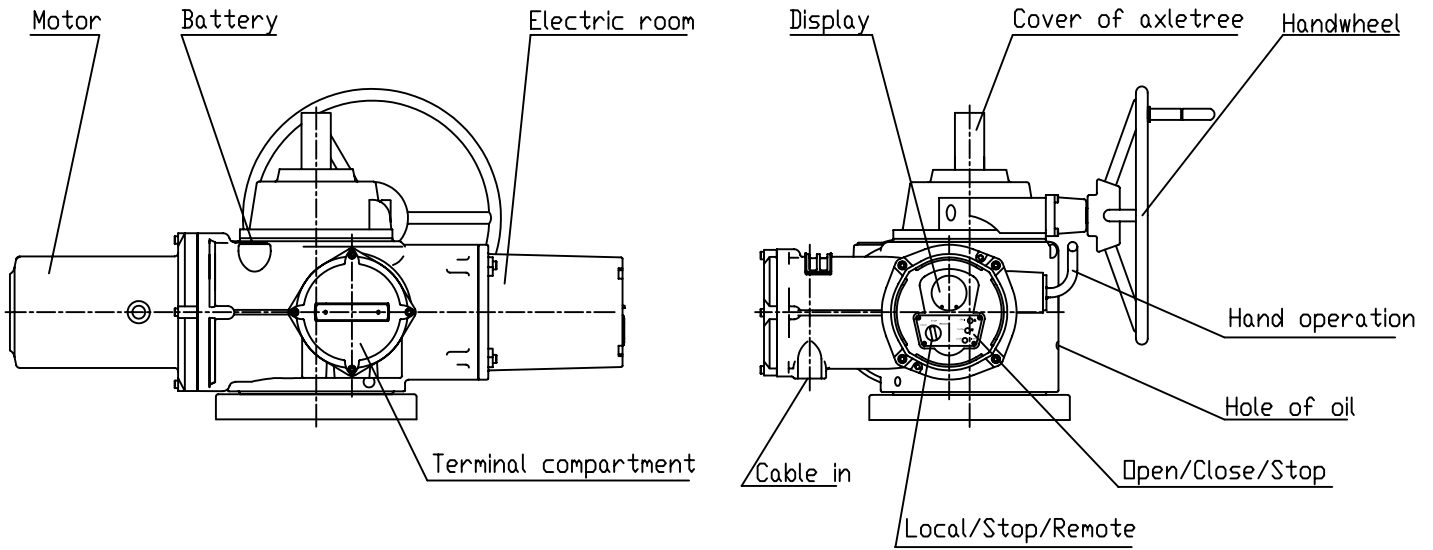
Broken line show the space disassembly



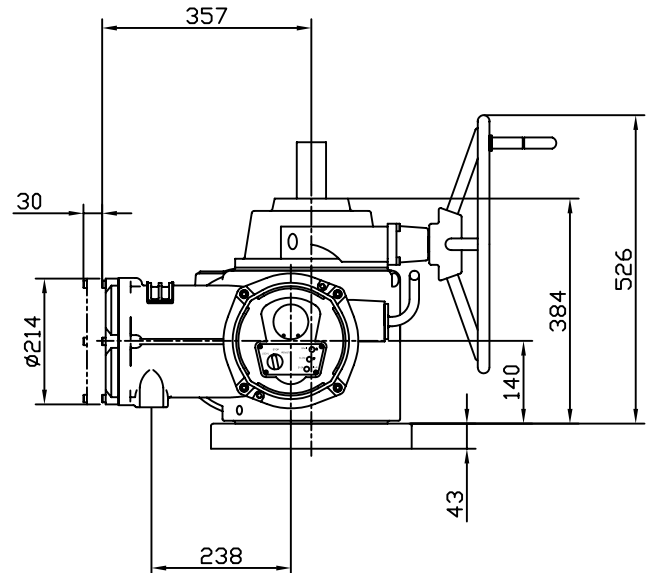
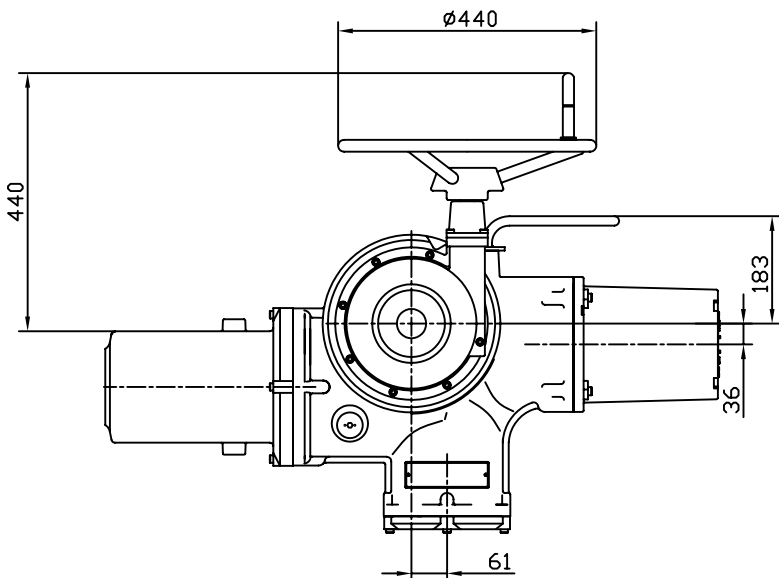
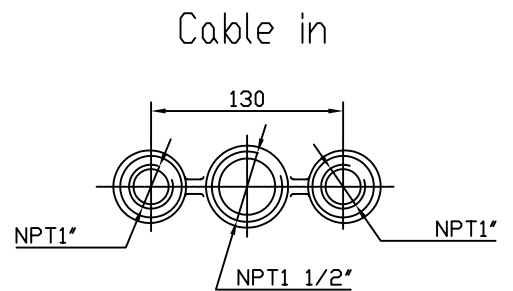
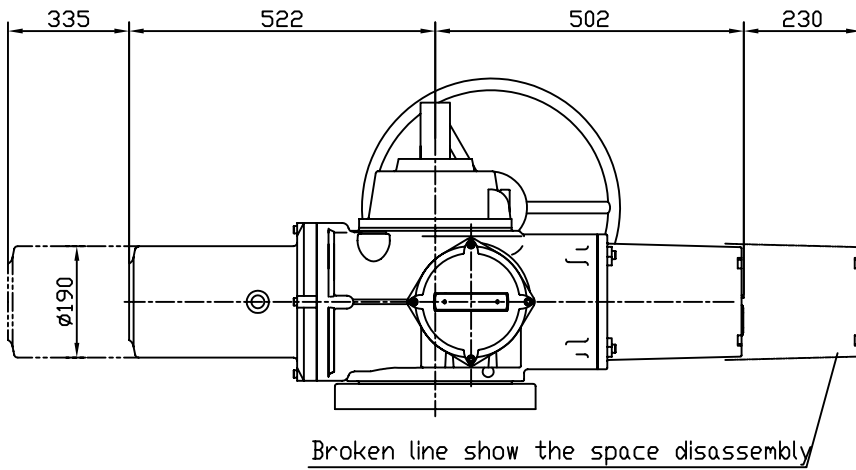
Greatork

Parts and Size

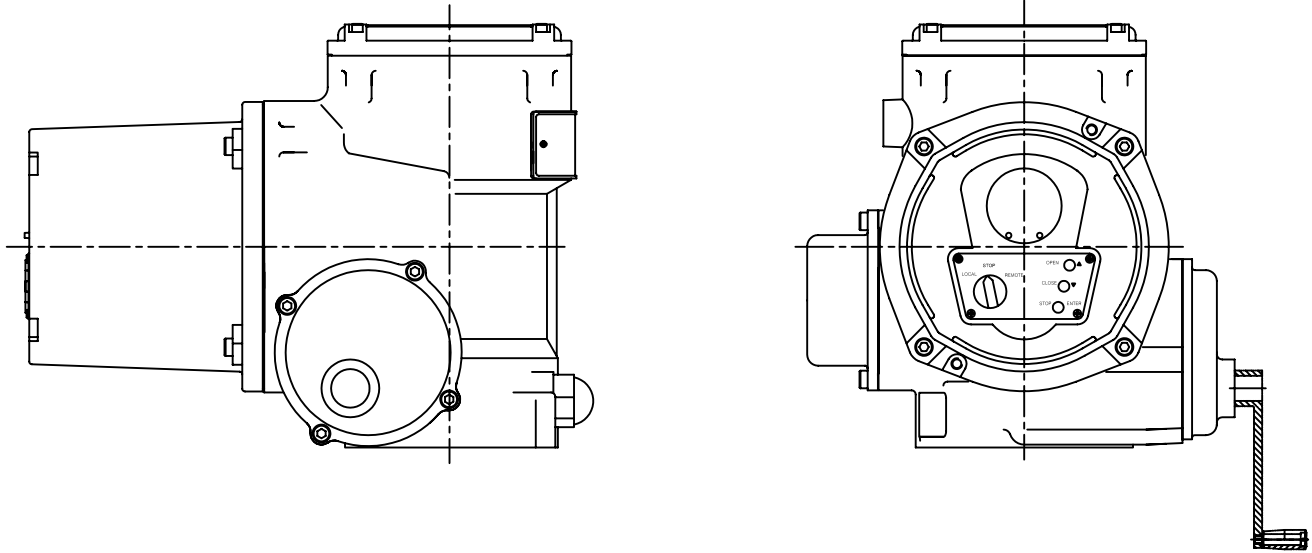
Each part and name of AVA08/09/09.1/10



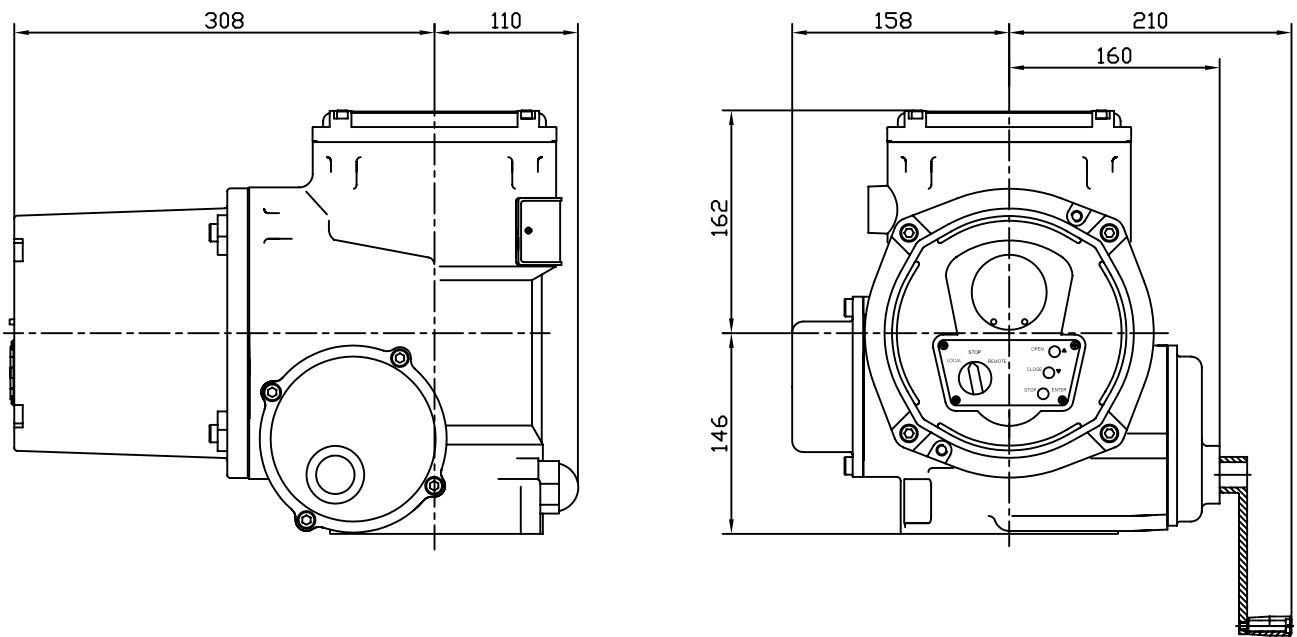
Dimensions of AVA08/09/09.1/10



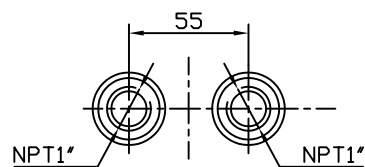
AVAT range and AVATM01/02 each part and name



AVAT range and AVATM01/02 actuator dimensions



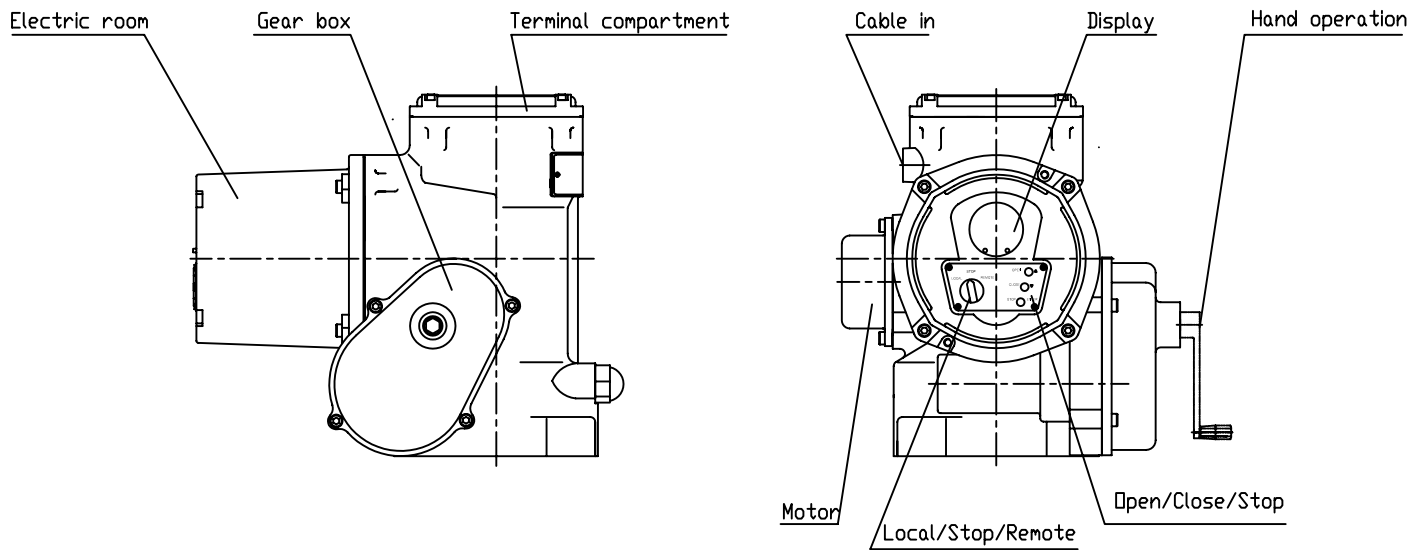
Cable in



Greatork

Parts and Size

AVAT range and AVATM03/04/05/06/07 each part and name



AVAT range and AVATM03/04/05/06/07 actuator dimensions

