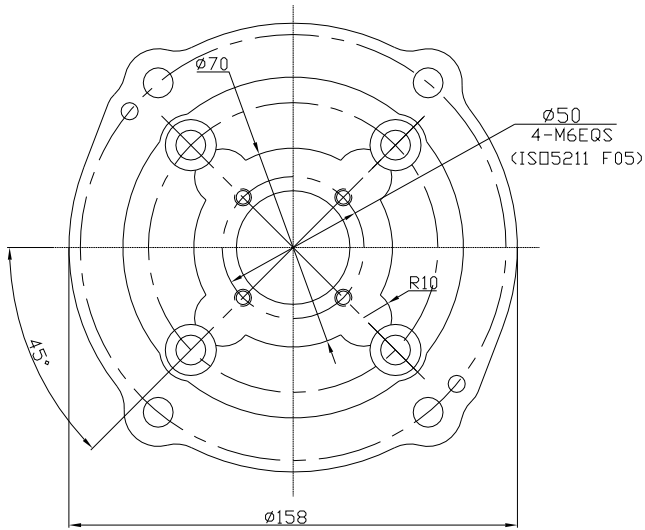


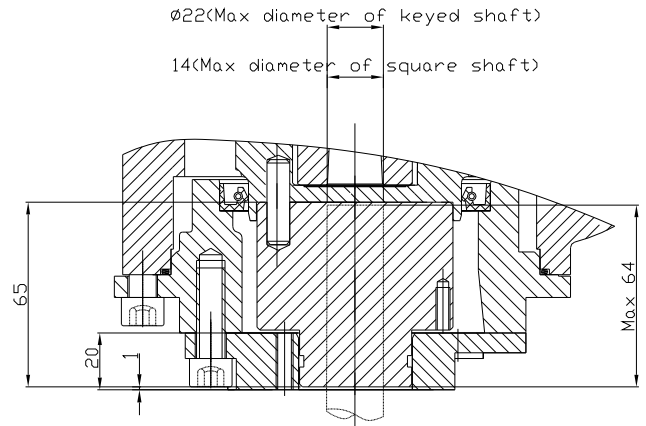
# Greatork AVAT1 range actuator drive couplings

## AVAT01/02 COUPLING

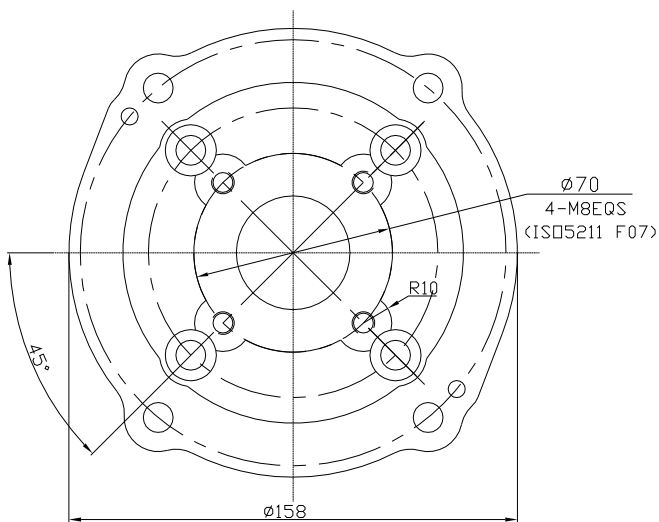
### F05 Base



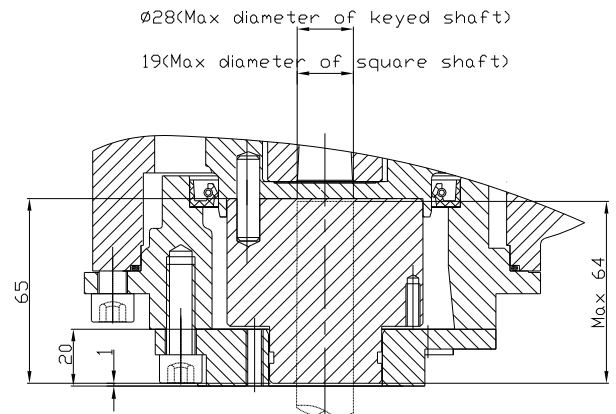
### F05 Coupling



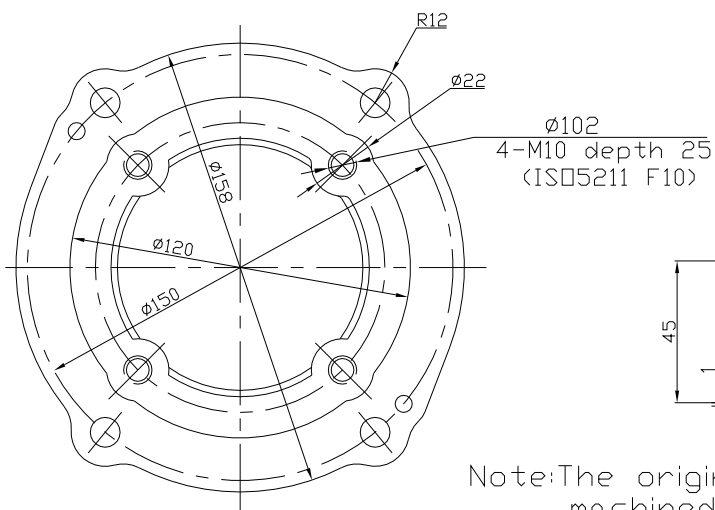
### F07 Base



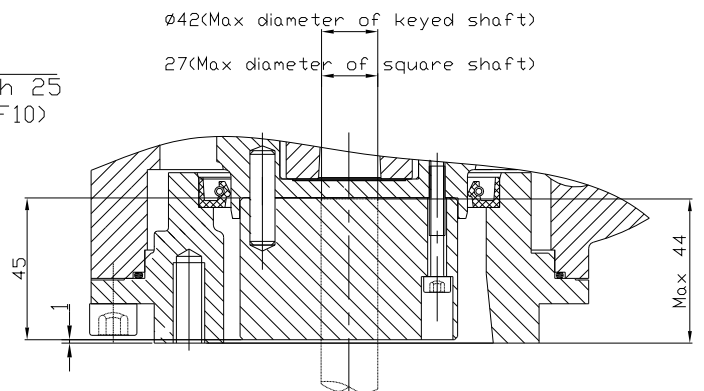
### F07 Coupling



### F10 Base



### F10 Coupling

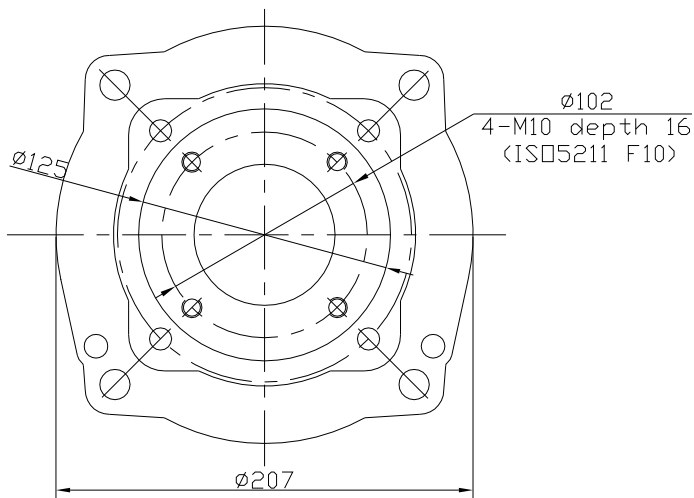


Note: The original coupling is solid and can be machined according to user's requirement without exceeding the max diameter indicated in the drawing.

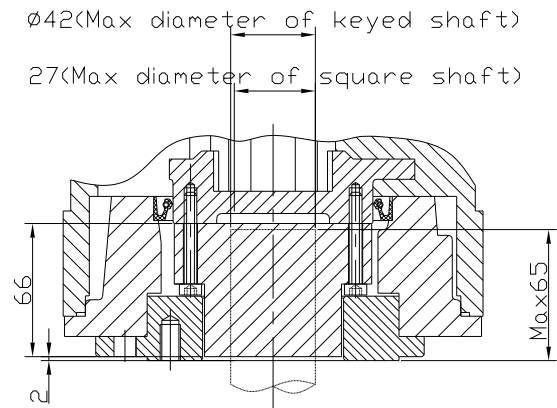
# Greatork AVAT2 range actuator drive couplings

## AVAT03/04/05/06/07 COUPLING

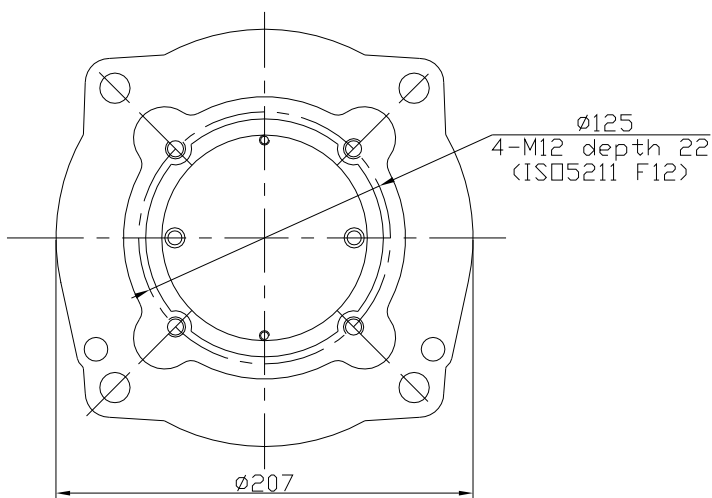
### F10 Base



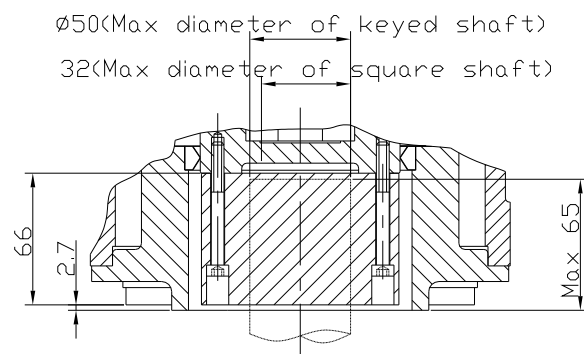
### F10 Coupling



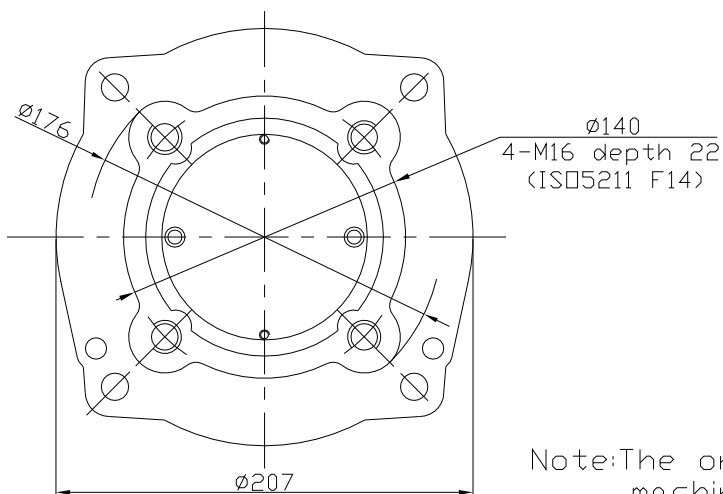
### F12 Base



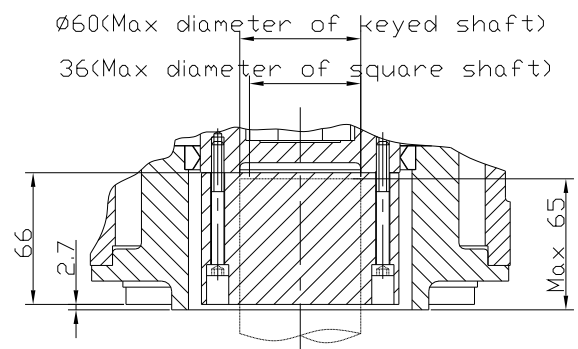
### F12 Coupling



### F14 Base



### F14 Coupling



Note: The original coupling is solid and can be machined according to user's requirement without exceeding the max diameter indicated in the drawing.