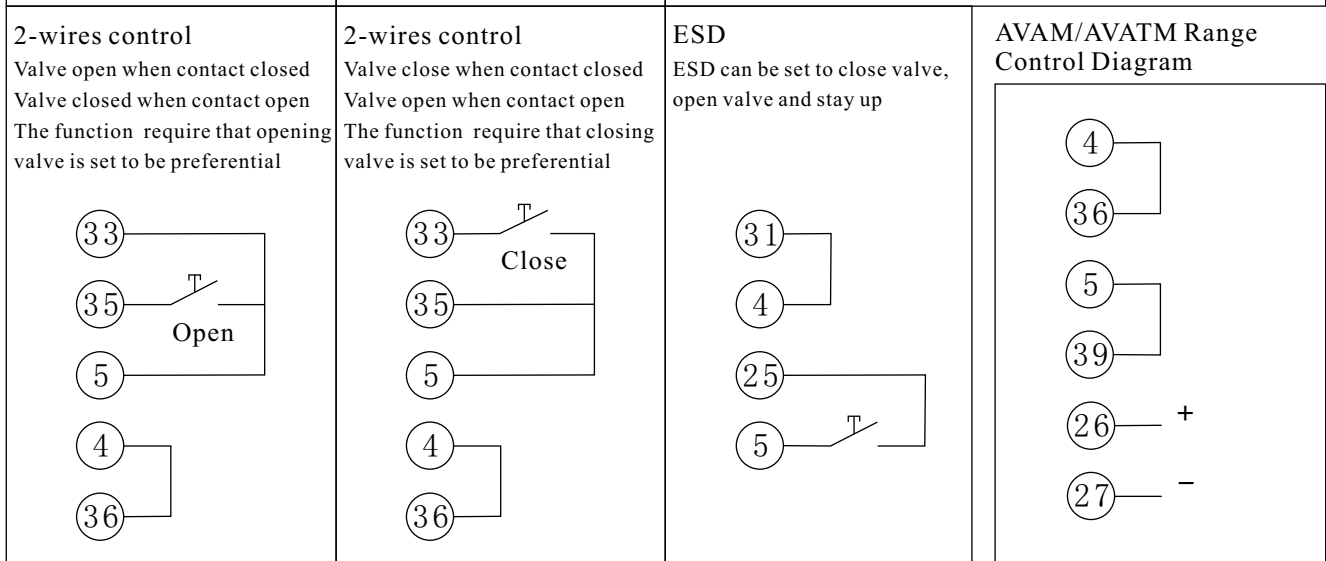
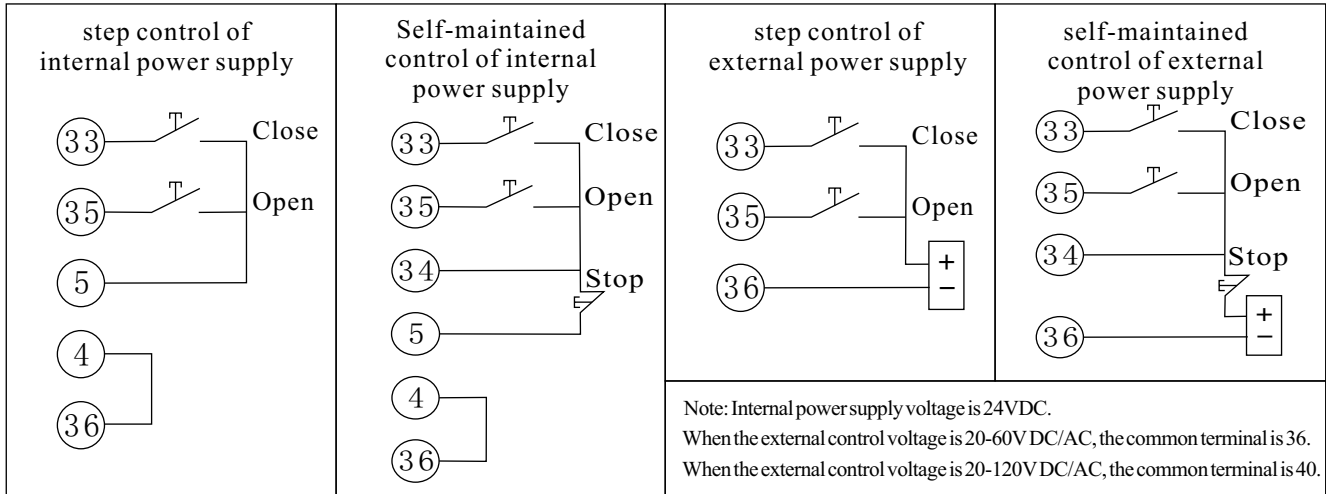


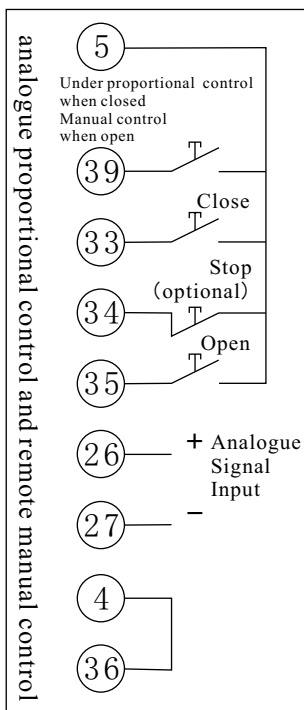
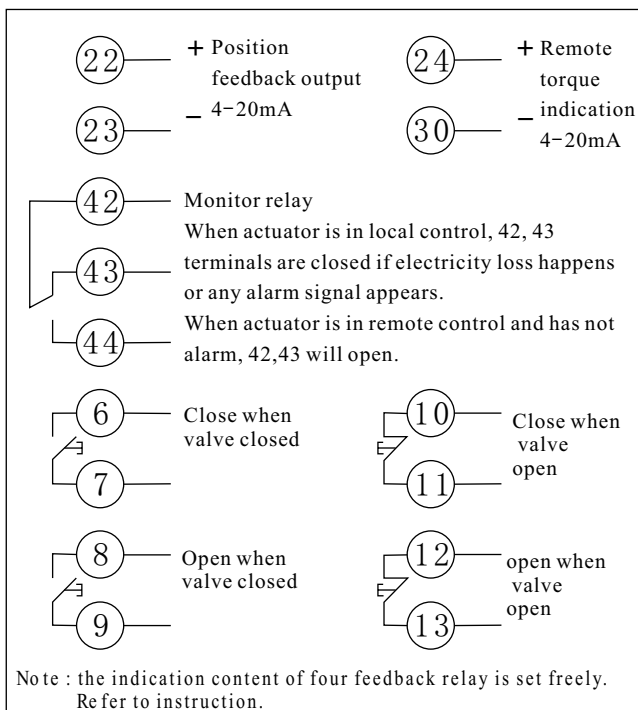
Warning: Please refer to the rated voltage stamped on the actuator nameplate before connecting power. Connect terminals 1, 2, and 3 when the power is three phases. Connect terminals 1 and 2 when the power is single phase.

| | |
|------------------------------|--------------------------------------------------|
| ① Power Line 1# | ②⑤ ESD |
| ② Power Line 2# | ②⑥ Analogue Input Signal +Ve |
| ③ Power Line 3# | ②⑦ Analogue Input Signal -Ve |
| ④ 24vdc -Ve | ②⑧ |
| ⑤ 24vdc +Ve | ②⑨ |
| ⑥ Monitor Relay S1-1 | ②⑩ Remote Torque Feedback - |
| ⑦ Monitor Relay S1-2 | ②⑪ Common-Ve 20~60v Ac/Dc |
| ⑧ Monitor Relay S2-1 | ②⑫ Common-Ve 20~120v Ac |
| ⑨ Monitor Relay S2-2 | ②⑬ Remote Closing Signal Input End |
| ⑩ Monitor Relay S3-1 | ②⑭ Remote Stopping/ Maintaining Signal Input End |
| ⑪ Monitor Relay S3-2 | ②⑮ Remote Opening Signal Input End |
| ⑫ Monitor Relay S4-1 | ②⑯ Common- Ve 20~60v Ac/Dc |
| ⑬ Monitor Relay S4-2 | ②⑰ Open Interlock |
| ⑭ | ②⑱ Close Interlock |
| ⑮ | ②⑲ Manual/ Automatic |
| ⑯ | ②⑳ Common+Ve 20~120v Ac |
| ⑰ | ②㉑ |
| ⑱ | ②㉒ Common Monitor Relay |
| ⑲ | ②㉓ Common Monitor Relay Normally Closed |
| ⑳ | ②㉔ Common Monitor Relay Normally Open |
| ㉑ | ②㉕ |
| ㉒ Remote Position Feedback + | ②㉖ |
| ㉓ Remote Position Feedback- | ②㉗ |
| ㉔ Remote Torque Feedback+ | ②㉘ E Grounding |

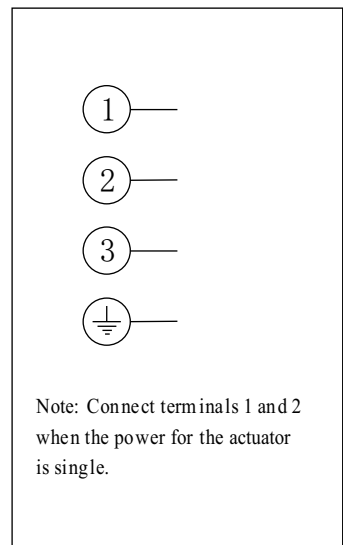
AVA/AVAT Range control diagram



Feedback



Power



Note: for more information, please contact Tefulong.